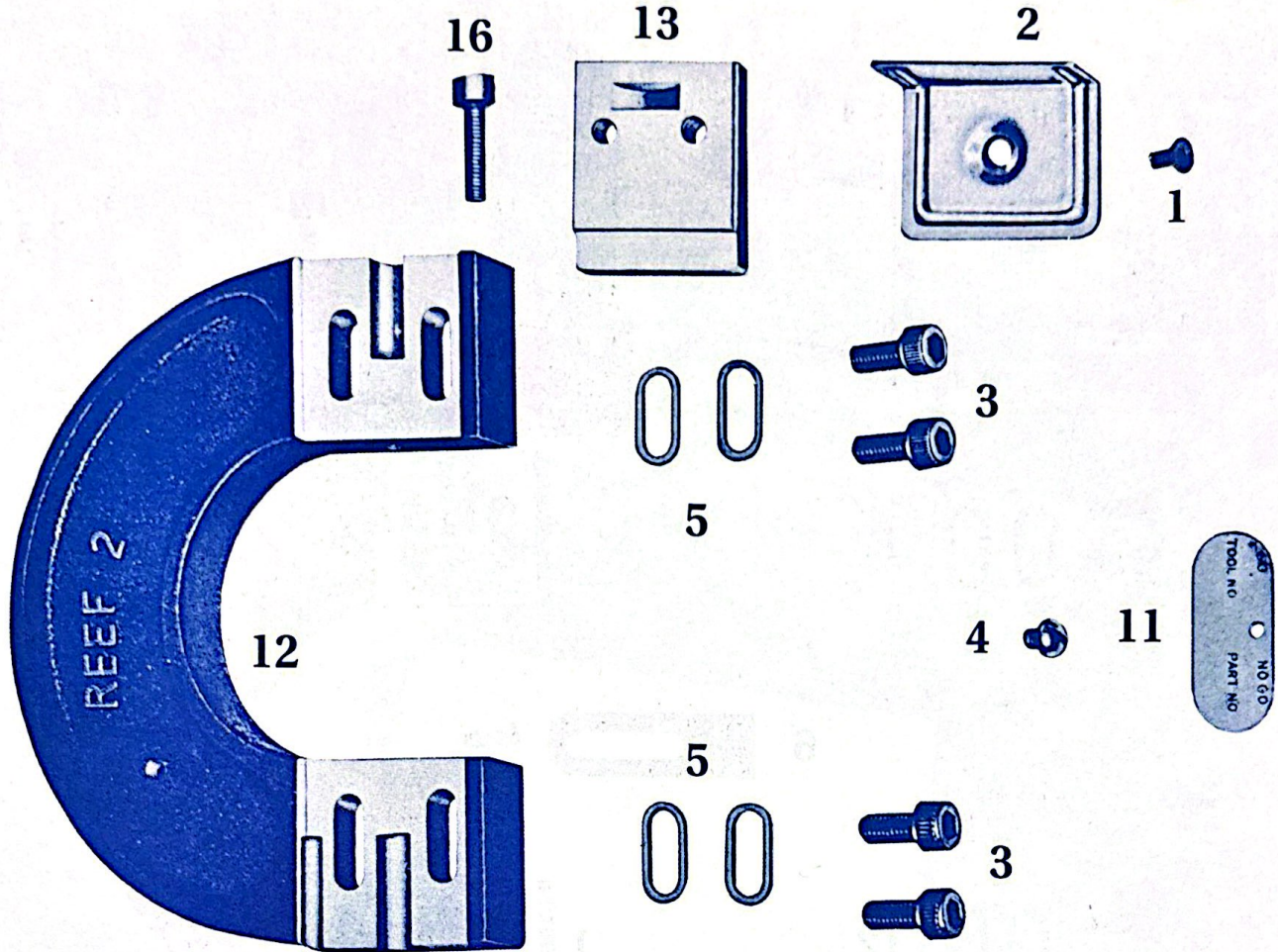
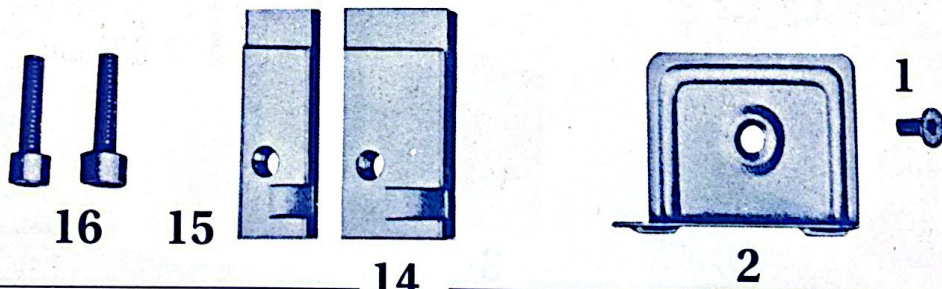


# The REEF Adjustable Form Gage



## Parts List



ILLUS. NO.	PART NUMBER	DESCRIPTION
1	R-1135	End Plate Screw
2	R-1150	End Plate
3	R-1130	Lock Screw
4	R-1140	Tag Screw
5	R-1145	Elongated Spring Washer
11	R-1180	Std. Tag 5/8" x 1/2"
12	R-1100	Frame Only ON APPLICATION

ILLUS. NO.	PART NUMBER	DESCRIPTION
13	R-1115	Wide GO Blade A, B, or C (Specify)
14	R-1120	Narrow GO Blade A, B, or C (Specify)
15	R-1110	NO GO Blade A, B, or C (Specify)
16	R-1125	Adjusting Screw

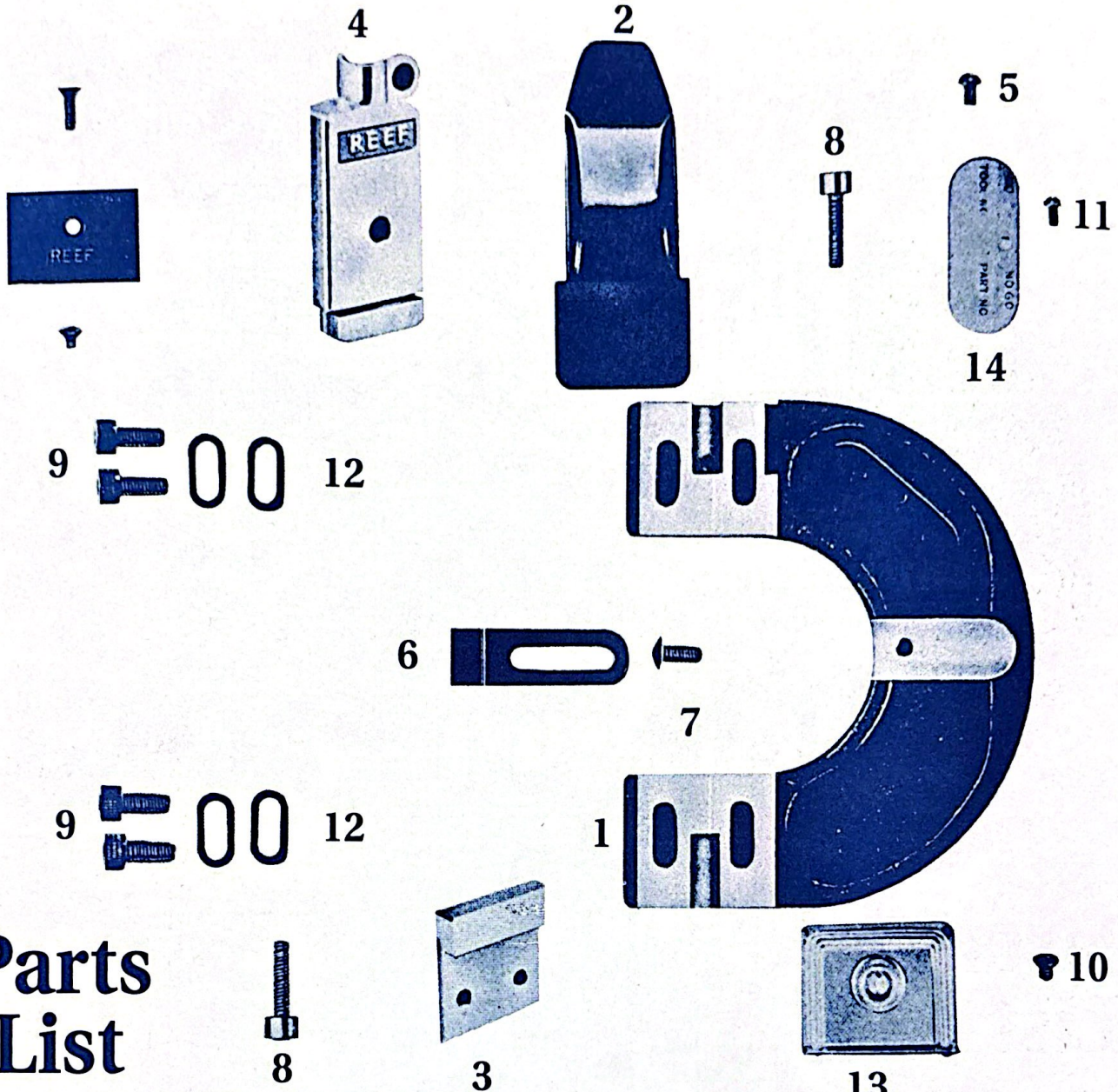


FORM 105 4/96

## REEF TOOL and GAGE COMPANY, INC.

44800 Macomb Industrial Drive  
Clinton Township, MI 48036

# The REEF Dial Form Gage



## Parts List

ILLUS. NO.	PART NUMBER	DESCRIPTION
1	DB-601	Frame (on application)
2	D-605	Indicator Guard
3	DB-203	Lower Blade
4	DB-201	Upper Dial Blade Unit
5	D-611	Guard Screw
6	DB-211	Stop (give frame #)
7	DB-614	Stop Screw

ILLUS. NO.	PART NUMBER	DESCRIPTION
8	R-1125	Adjusting Screws
9	DB-210	Lock Screws
10	R-1135	End Plate Screw
11	R-1140	Tag Screw
12	R-1145	Elongated Washers
13	R-1150	End Plate
14	R-1180	Reef Std. Tag 5/8 x 1/2 Brass



FORM 105 4/96

**REEF TOOL and GAGE COMPANY, INC.**

44800 Macomb Industrial Drive  
Clinton Township, MI 48036